

# SPIDERLIFT CMC S15

**Robert Chumley**  
*Cherry Picker Hire*

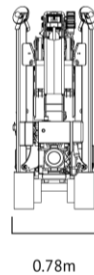
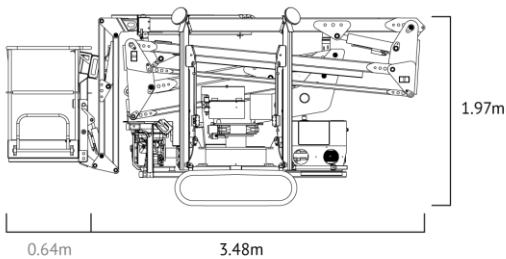


If access is tight, then a tracked cherry picker or spider lift may be the answer! Compact enough to squeeze through a standard doorway, spider lifts can access everything from back gardens with pedestrian access only, to halls and meeting rooms with high ceilings.

**Do you need an access platform with superb versatility?**

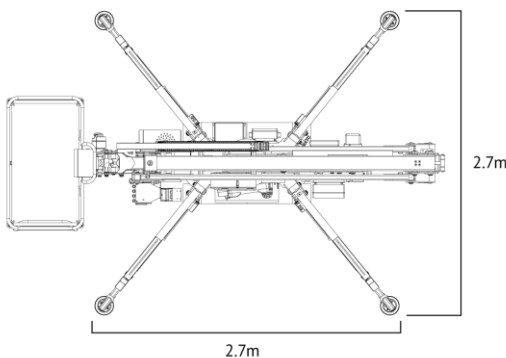
## Specifications

**Call now on**  
**01656 664163 or**  
**07710 501412**



### Dimensions

Total length (without basket)	3.48m
Total length (with basket)	4.12m
Height in travel position	1.97m
Width with basket removed	0.78m
Basket dimensions (HxLxW)	1.1 x 1.4 x 0.7m
Ground clearance	0.34m
Stabiliser base width x length	2.7 x 2.7m



**SOUTHWALESCHERRYPICKERS.CO.UK**

**BRIDGEND**

**CARDIFF**

**SWANSEA**

**NEATH**